

Up to 240 bar - 151 lpm

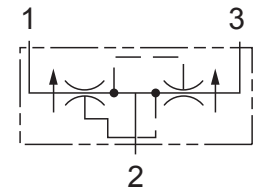
Operation

In the dividing mode, the D-SNFDA will divert input flow from port (2) to ports (3) and (1), based on the ratio specified, regardless of operating pressure.

The D-SNFDA will combine input flows from ports (3) and (1), to port (2) by same ratio.

Should circuit operation result in a blockage of either (3) or (1), the opposite port may also close under certain conditions. Should this potential exist, consult the factory.

Symbol



Features

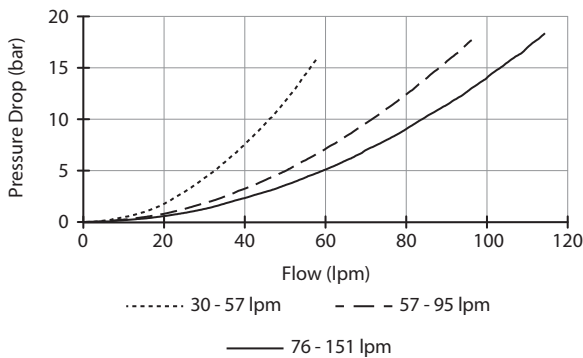
- Hardened parts for long life.
- Industry common cavity.



Do not exceed maximum flow per model.

Performance

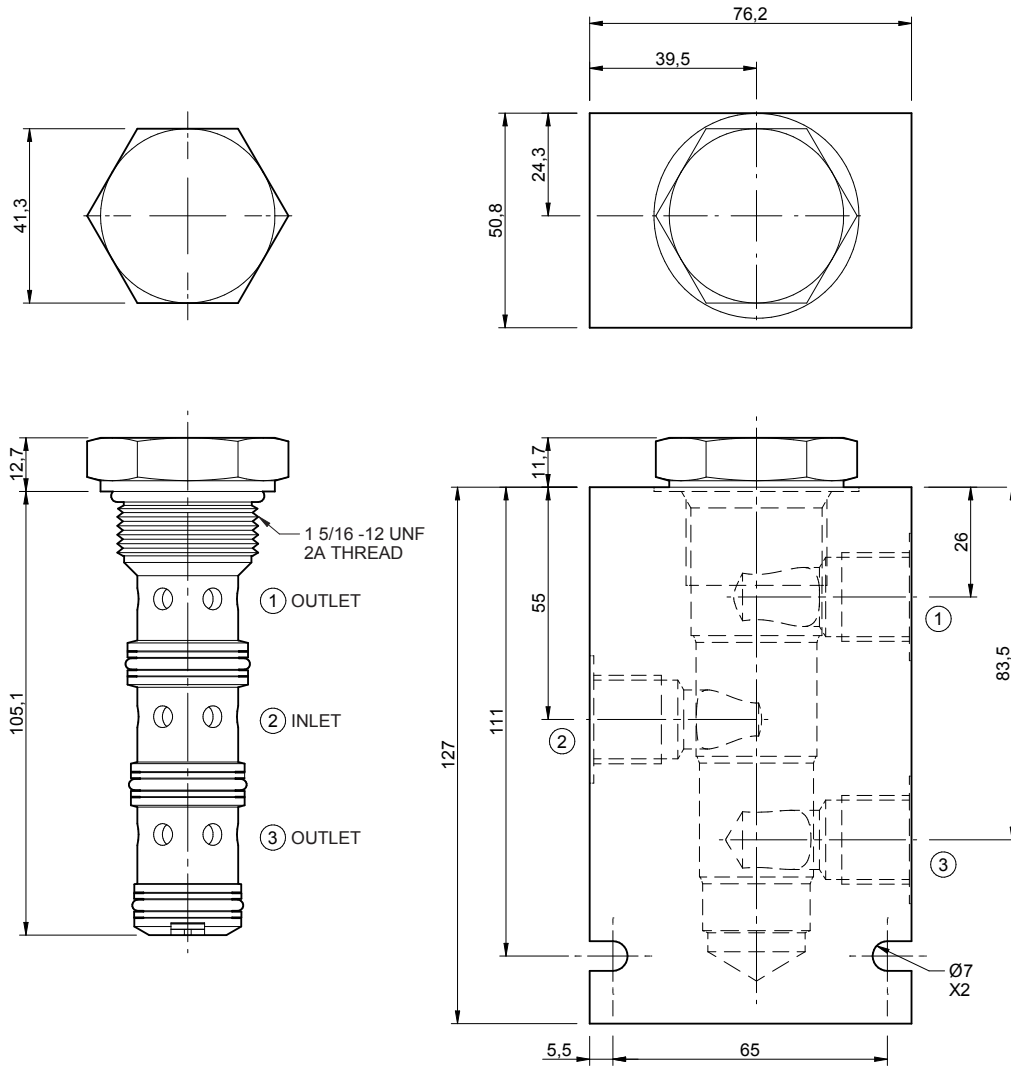
32 cSc / 38°C.



Specifications

Nom. Flow (lpm)	151
Max. Pressure (bar)	240
Accuracy of Flow Splits	±10% of max. rated inlet flow
Hydraulic Oil	General purpose hydraulic fluid
Viscosity Range	3 to 640 cSt
Filtration	ISO 18/16/13
Operating Temp.	-40 to 120°C
Cartridge Torque	122 Nm
Cavity	SN16-4 (see cavity data page CAV-SN16-4)
Spare Seal Kit (Viton)	SK-DSNVHBBB
Weight - Valve only	0.43 kg
Weight - Valve + Body	1.49 kg (alum) 3.49 kg (steel)

Dimensions
[mm]



Option shows Port Size CC & DC body.
See datasheet B-DSN for ED option.

Ordering Code

D-SNFDA

