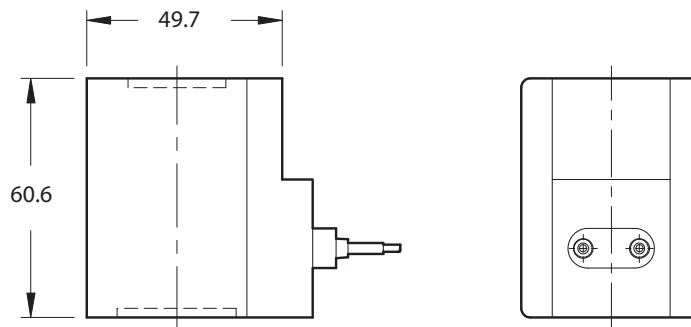
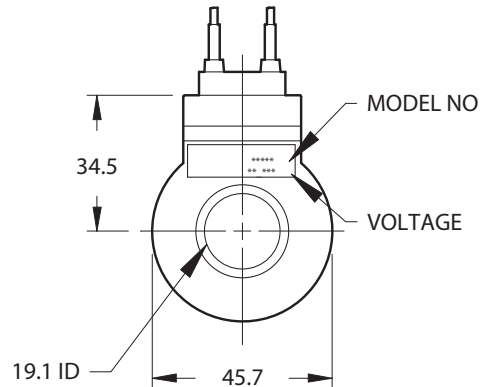

**Features**

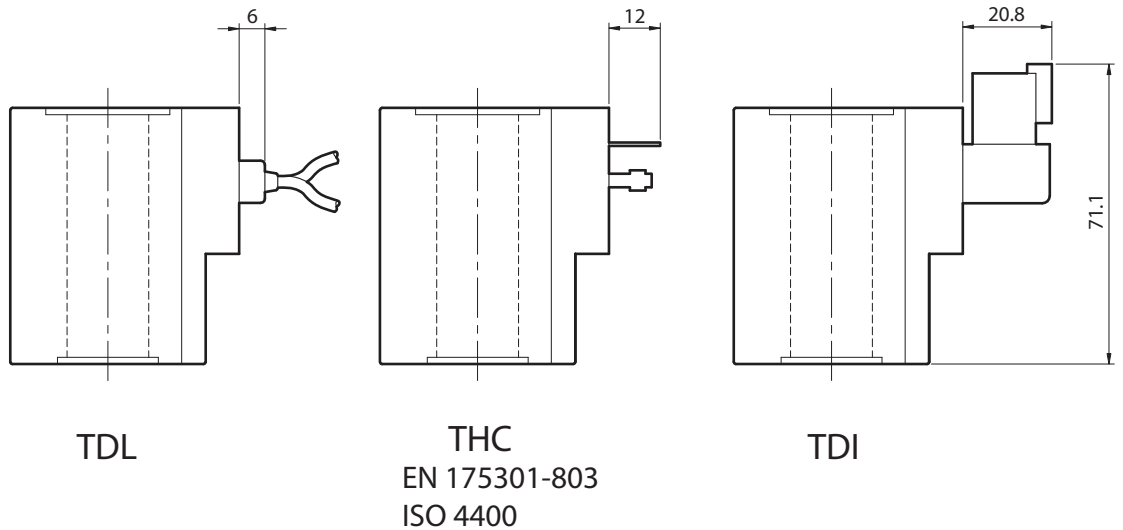
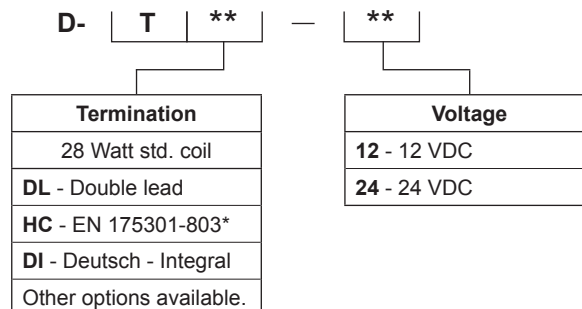
- One piece water resistant encapsulated design.
- Numerous terminals and voltages.
- This coil is non-reversible.


**Specifications**

Wattage	30 watts nominal
Duty rating	Continuous duty $\pm 10\%$ rated voltage at 49°C ambient
Magnet wire class	H for all voltages
Temperature range	-40°C to 200°C
Protection degree	IP 65 (achieved with suitable connector)
Lead wires	18 gauge, 610mm long, 600 volt rating, with strain relief
Encapsulating material	Glass filled polyester, resistant to moisture, caustic solutions, fungus and vibrations. Material temperature range is -40°C to 200°C
Approx. coil weight	0.35 kg

**Coil Model Numbers**

Termination	TDL	THC	TDI
Description	Double Lead	EN 175301-803*	Deutsch Integral DT04-2P
Voltage	12VDC	12VDC	12VDC
Amp	2.5	2.5	2.5
Voltage	24VDC	24VDC	24VDC
Amp	1.25	1.25	1.25


**Ordering Code**


\*Formerly DIN 43650 Hirschmann connector.