



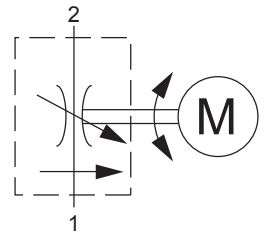
Up to 245 bar - Up to 90 lpm

Operation

The D-AJFCA maintains a constant flow rate out of (1) regardless of load pressure changes in the circuit downstream of (1). The adjustable control orifice can be set to customer flow specification (see options for ranges).

The valve begins to respond to load changes when the flow through the valve creates a pressure differential across the control orifice greater than 6.9 bar, with accurate flow maintenance from 6.9 to 240 bar. Reverse flow (1) to (2) returns through the control orifice and is non-compensated.

Symbol



Features

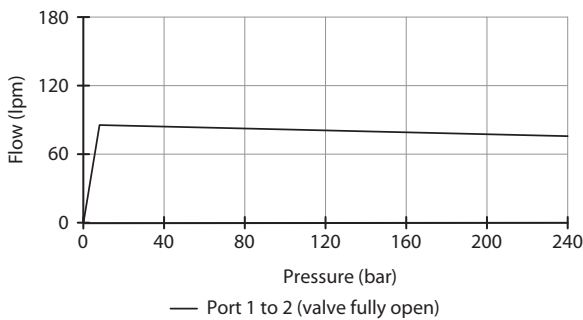
- Hardened parts for long life.
- Industry common cavity.
- Fine low-torque adjustment.



Note: When used as a bypass flow control in applications. Where the priority flow port will be blocked by external valving, bypass pressure drop will increase unless a small amount of leakage is provided for the priority port. Consult factory.

Performance

32 cSc / 38°C.



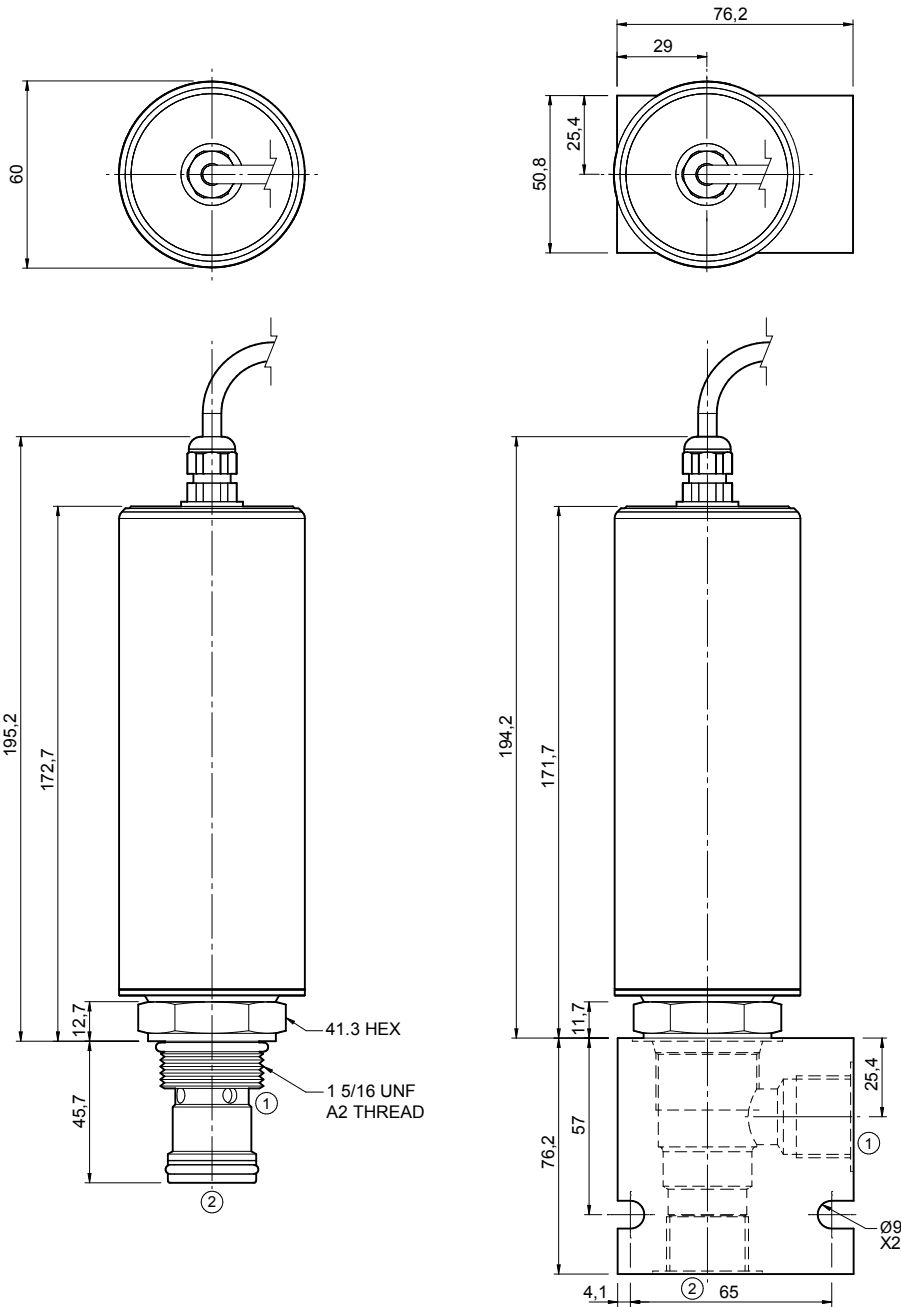
Specifications

Nom. Flow (lpm)	90
Max. Pressure (bar)	245
Hydraulic Oil	General purpose hydraulic fluid
Viscosity Range	3 to 640 cSt
Filtration	ISO 18/16/13
Operating Temp.	-40 to 120°C
Cartridge Torque	122 Nm
Current Draw	300mA(12 VDC)/150mA(24 VDC)
Cavity	SJ16-2 (see cavity data page CAV-SJ16-2)
Spare Seal Kit (Viton)	SK-DSJVHA
Weight - Valve only	1.02 kg
Weight - Valve + Body	1.59 kg (alum) 2.69 kg (steel)

Gear ratio	Response time (full closed to full open)
100	9 sec.
250	22 sec.
500	45 sec.

Dimensions

[mm]



Ordering Code

