

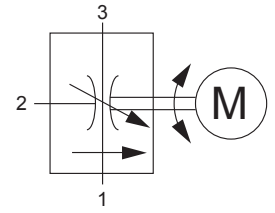


Up to 245 bar - Up to 90 lpm

**Operation**

The D-AKFCQ allows pressure compensated flow from (3) to (1) regulated by the pressure present at (3). Excess flow bypasses out (2).

The spring chamber is constantly vented at (1).

**Symbol**

**Features**

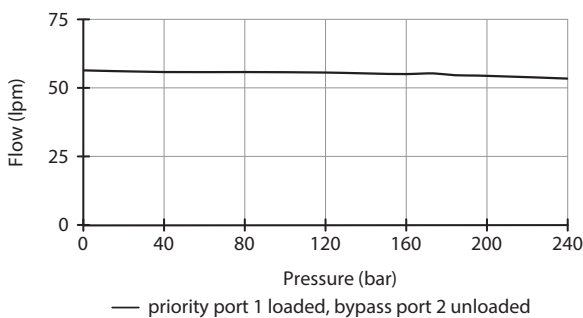
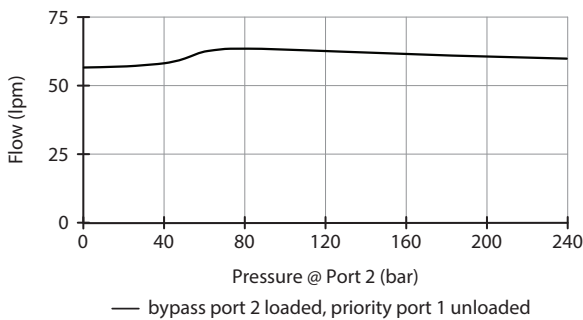
- Hardened parts for long life.
- Industry common cavity.



*Note: When used as a bypass flow control in applications. Where the priority flow port will be blocked by external valving, bypass pressure drop will increase unless a small amount of leakage is provided for the priority port. Consult factory*

**Performance**

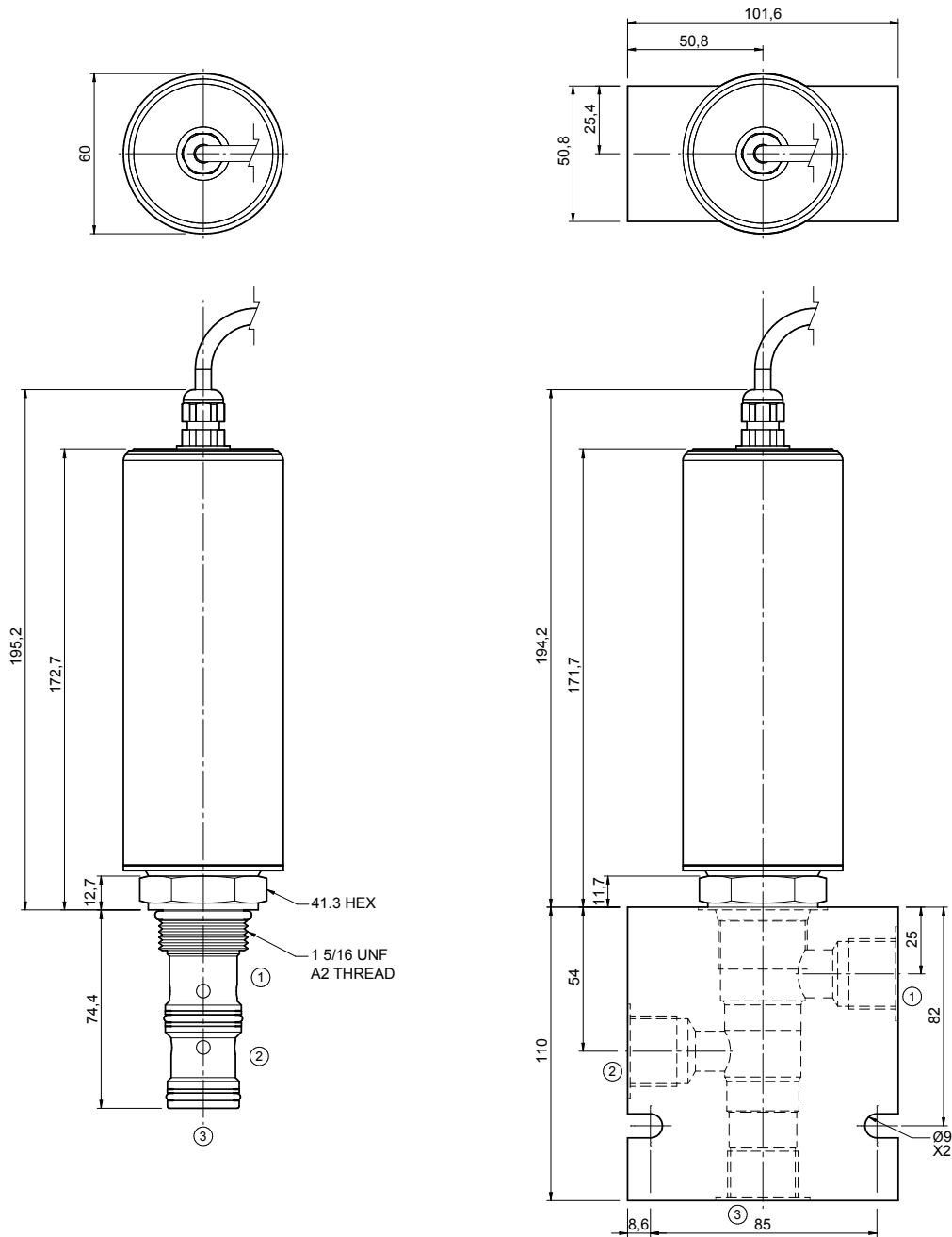
32 cSc / 38°C.


**Specifications**

Nom. Flow (lpm)	95
Max. Pressure (bar)	240
Hydraulic Oil	General purpose hydraulic fluid
Viscosity Range	3 to 640 cSt
Filtration	ISO 18/16/13
Operating Temp.	-40 to 120°C
Cartridge Torque	122 Nm
Current Draw	300mA(12 VDC)/150mA(24 VDC)
Allowable Input Voltage	80% - 120% of Rated
Cavity	SJ16-3 (see cavity data page <b>CAV-SJ16-3</b> )
Spare Seal Kit (Viton)	SK-DSKVHBA
Weight - Valve only	1.06 kg
Weight - Valve + Body	1.63 kg (alum) 2.69 kg (steel)

Gear ratio	Response time (full closed to full open)
100	9 sec.
250	22 sec.
500	45 sec.

**Dimensions**  
[mm]



**Ordering Code**

