

Up to 245 bar - Up to 25 lpm

This is an electro-proportional 2-way, normally closed poppet type flow control valve used for blocking or load holding applications.

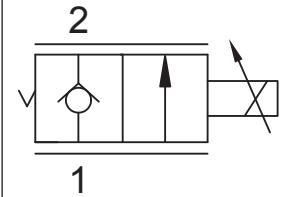
Operation

When de-energised the T-EBP2A blocks flow from (1) to (2) and allows reverse flow from (2) to (1).

When energised, the valve allows flow from (1) to (2). Flow is proportional to current applied to the coil.

A compensator must be used to create a pressure compensated flow control function. **Manual override options available.**

Symbol



Features

- Efficient wet-armature construction.
- Cartridges are voltage interchangeable.
- Manual override options.
- Industry common cavity.
- Unitised, molded coil design.
- Continuous duty rated solenoid.
- Optional coil voltages and terminations.

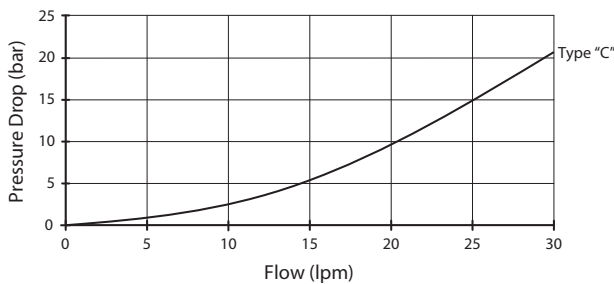


Curves are attained without pressure compensator.

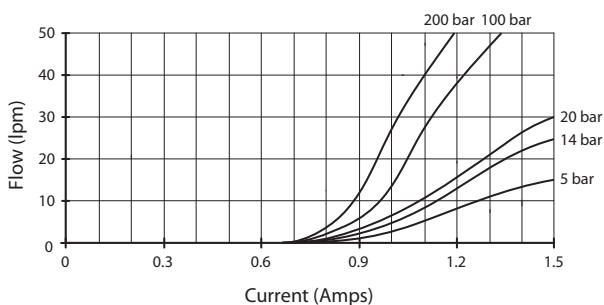
The valve can work with a pressure drop up to 200 bar.

Performance

Pressure Drop (1) to (2) with valve completely open



Flow vs. Current at different Pressure Drop



Coil 12 VDC - Hydraulic oil 26cSt @ 40°C

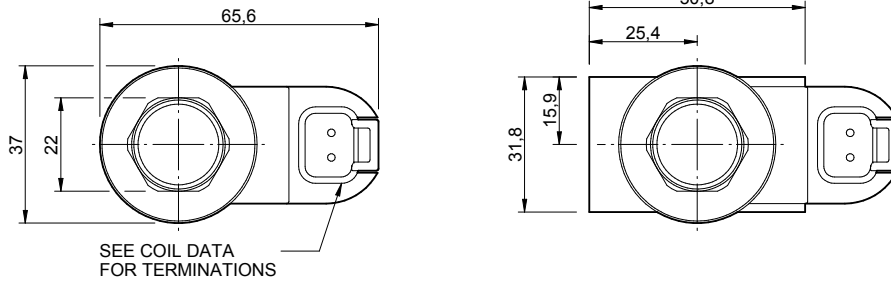
Valve Specifications

Flow Range (lpm)	see curves for various versions
Max. Pressure (bar)	245
Leakage	0 - 0.50 cc/min at 245 bar
Hysteresis	+/- 3%
Hydraulic Oil	General purpose hydraulic fluid
Viscosity Range	3 to 640 cSt
Filtration	ISO 18/16/13
Operating Temp.	-40 to 120 °C
Cartridge Torque	25 Nm
Coil Nut Torque	3 - 4 Nm
Cavity	PB08-2 (see cavity data page CAV-PB08-2)
Spare Seal Kit (Viton)	SK-DPBVHD
Weight - Valve only	0.32 kg
Weight - Valve + Body	0.50 kg (alum) 0.83 kg (steel)

Coil Specifications

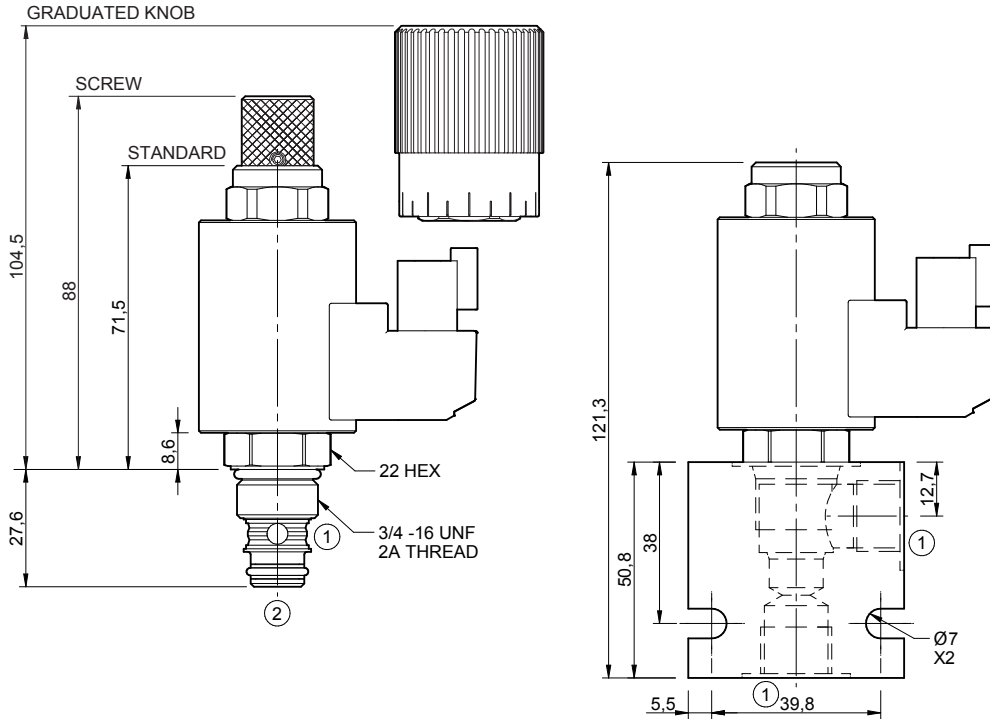
Current Supply	PWM (Pulse Width Modulation)
Rated Current Range	500 - 1450 mA
PWM or Super-imposed Dither Frequency	100 Hz
Coil Resistance	7.2 Ohm +/- 5% at 20°C

Dimensions
[mm]



To Override

Screw clockwise to close.



Ordering Code

T-EBP2A

	**	**	**	*	*	*
Options	Coil termination	Voltage	Port size (BSP)	No. of ports	Body material	
Up to 25 lpm	DL - Double lead	12 - 12 Vdc	A - 1/4"	2 - 2 ports	A - Aluminium	
C0 - Nitrile.	DI - Deutsch - Integral DT04-2P	24 - 24 Vdc	B - 3/8"	Options - See page B-DDE	S - Steel	
CS - Nitrile, screw overr.	HC - EN 175301-803*	Options - See page Coil-F	Options - See page B-DDE		For pressures over 210 bar use steel.	
CK - Nitrile, grad. screw overr.	Options - See page Coil-F					
	Omit if coil is not required					

Notes:

1) For other seals, consult factory.