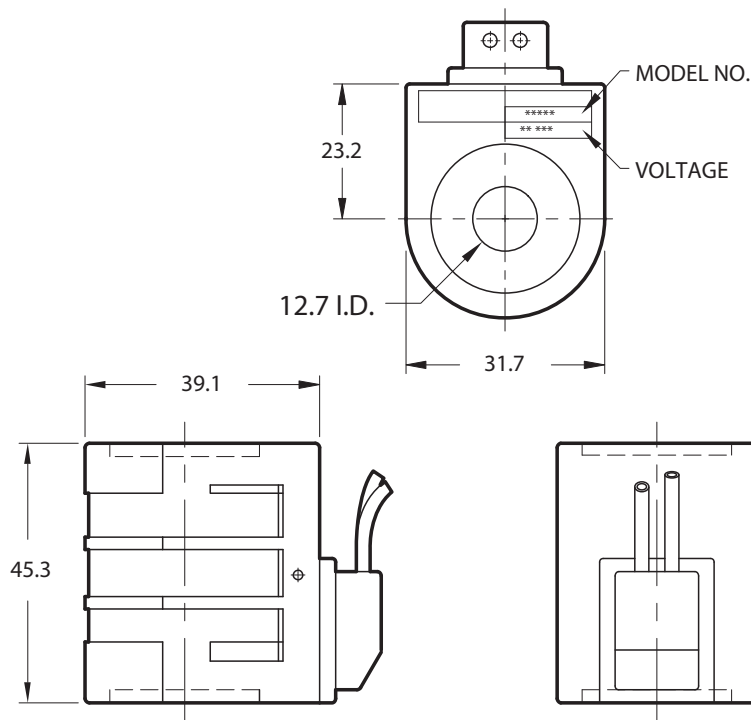



Features

- One piece water resistant encapsulated design.
- Numerous terminals and voltages.
- Heavy gauge color coded lead wire.
- U.L. recognition.
- This coil is reversible (can be installed on cartridges in both directions with equal efficiency).

For coil selection in extreme conditions, please look at our “I” coil line of environmental coils.


Specifications

Wattage	19 watts nominal
Duty rating	Continuous duty $\pm 10\%$ rated voltage at 49°C ambient
Minimum current for actuation	80% of rated current at room temperature
Magnet wire class	H for all voltages
Temperature range	-40°C to 200°C
Protection degree	IP 65 (achieved with suitable connector)
Lead wires	18 gauge, 610mm long, 600 volt rating, with strain relief
Encapsulating material	Glass filled polyester, resistant to moisture, caustic solutions, fungus and vibrations. Material temperature range is -40°C to 200°C
Approx. coil weight	0.19 kg

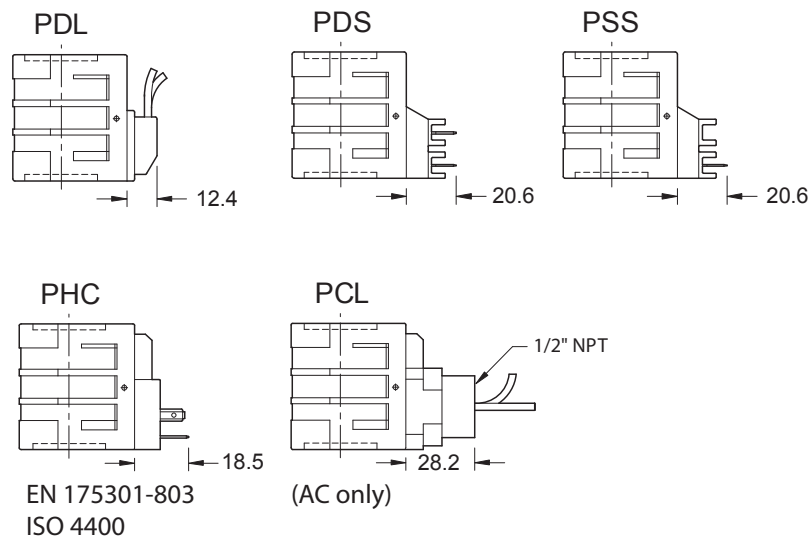
Note: A.C. Coils incorporate integrally molded full wave rectifiers which are rated for reverse voltage peaks of 1000 volts maximum. A.C. Coils are rated 50/60 HZ

Coil Model Numbers

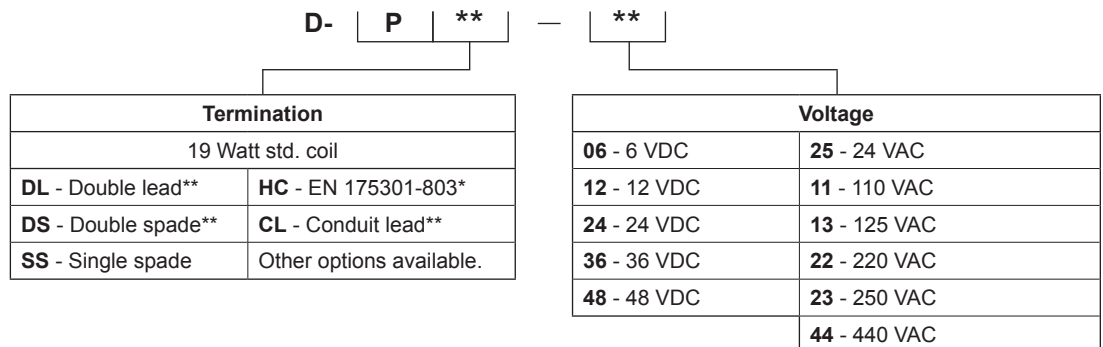
Termination	PDL	PDS	PSS	PHC	PCL		
Description	Double Lead	Double Spade	Single Spade	EN 175301-803* Connector	Double Lead Conduit	Lead Wire Color	AC Voltage Range
Voltage Amp	6VDC 3.5					ORANGE	
Voltage Amp	12VDC 1.6	12VDC 1.6	12VDC 1.6	12VDC 1.6		YELLOW	
Voltage Amp	24VDC .78	24VDC .78	24VDC .78	24VDC .78		BLUE	
Voltage Amp	36VDC .57			36VDC .57		GREEN	
Voltage Amp	48VDC .40	48VDC .40				BROWN	
Voltage Amp		24VAC .92		24VAC .92	24VAC .92	BLUE/ BLACK	
Voltage Amp				110VAC *.19	110VAC *.19	RED/ WHITE	* 100VAC 115VAC
Voltage Amp				125VAC *.17	125VAC *.17	RED	* 115VAC 130VAC
Voltage Amp				220VAC *.10	220VAC *.10	BLACK/ WHITE	* 200VAC 230VAC
Voltage Amp				250VAC *.08	250VAC *.08	VIOLET/ WHITE	* 225VAC 260VAC
Voltage Amp				440VAC *.05	440VAC *.05	VIOLET	* 400VAC 460VAC

* Optimum operating voltage noted.

Conduit connectors on A.C. coils have a maximum torque of 6.8 Nm. Arc suppression diode available.



Ordering Code



*Formerly DIN 43650 Hirschmann connector. **Only these coil terminations are stock.