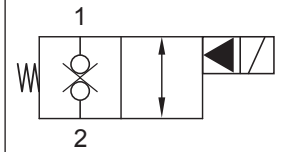




Up to 350 bar - 45 lpm

Operation

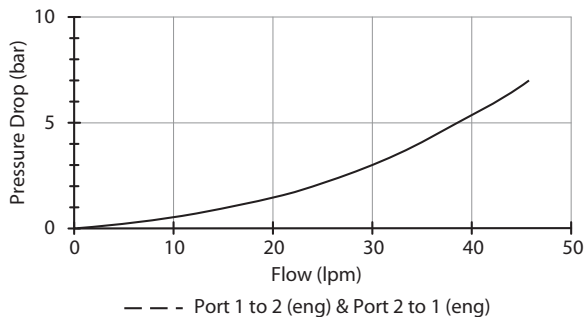
When de-energised the T-HBS2L blocks flow from (1) to (2) and (2) to (1). When energised the valve allows flow from (1) to (2) and (2) to (1).

Symbol

Features

- Hardened parts for long life.
- Efficient wet-armature construction.
- Cartridges are voltage interchangeable.
- Manual override options.
- Industry common cavity.
- 720 hours salt spray protection.
- Unitised, molded coil design.
- Continuous duty rated solenoid.
- Optional coil voltages and terminations.
- Optional "I" Coil: Weatherproof, Thermal, Shock, Immersion Safe.

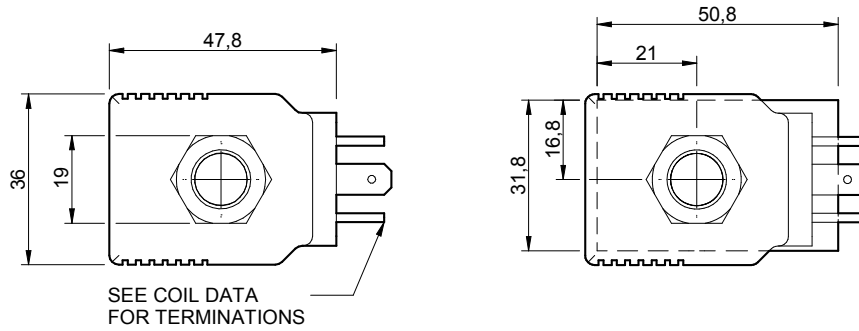
Performance

32 cSt / 38°C.


Specifications

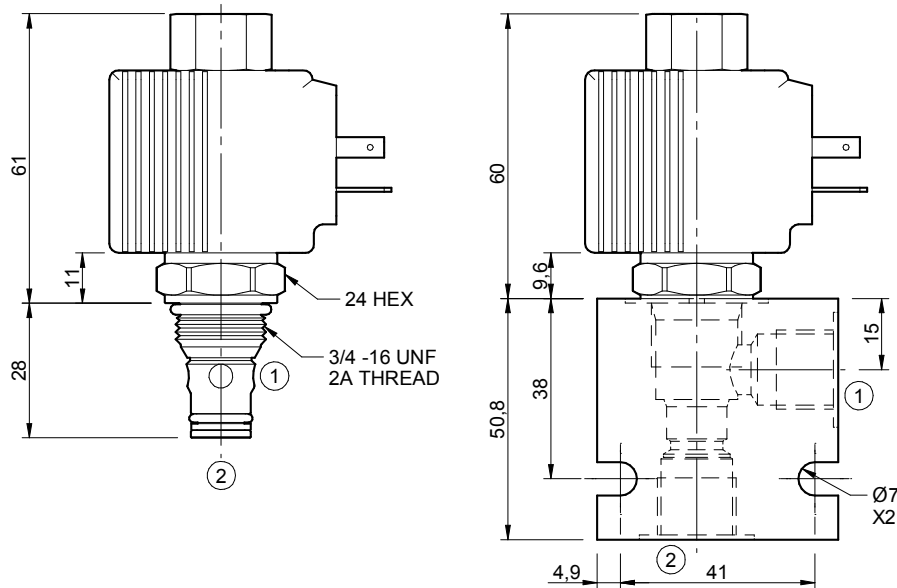
Nom. Flow (lpm)	45
Max. pressure (bar)	350
Internal Leakage (32 cSt)	0 to 0.50 cc/min at 350 bar
Hydraulic oil	General purpose hydraulic fluid
Viscosity Range	3 to 640 cSt
Filtration	ISO 18/16/13
Operating temp.	-40 to 120°C
Voltage	DC / AC (see coil data page Coil-D)
Cartridge Torque	47 Nm
Coil Nut Torque	5 to 8 Nm
Cavity	PB08-2 (see cavity data page PB08-2)
Spare Seal Kit (Viton)	SK-DPBVHD
Weight - Cartridge only	0.12 kg
Weight - Cartridge + Coil	0.31 kg
Weight - Cartridge + Coil + Body	0.42 kg (alum) 0.63 kg (steel)

Dimensions
[mm]



Coils can be fitted in any orientation.

Coil shown is JH (standard option).



Ordering Code

T-HBS2L

	**	**	**	*	*	*
Options	Coil Termination	DC Voltage	Port size (BSP)	No. of ports	Body material	
00 - Nitrile	JL - Double lead (1)	12 - 12 Vdc	A - 1/4"	2 - 2 ports	A - Aluminium	
V0 - Viton	JH - EN 175301-803* (1)	24 - 24 Vdc	B - 3/8"	Options - See page B-DPB	S - Steel	
	JD - Deutsch (1)		Options - See page B-DPB		For pressures over 210 bar use steel.	
	DS - Double Spade (2)					
	HC - EN 175301-803* (2)	AC Voltage				
		25 - 24 Vac				
	Compatible Coils	11 - 110 Vac				
	J, K, P & PI (immersion proof)	23 - 250 Vac				
	For details & options see coil datasheets					

*Formerly DIN 43650 Hirschmann connector.