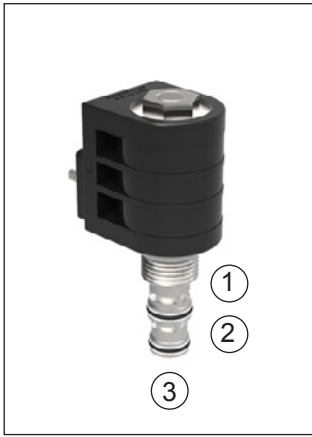
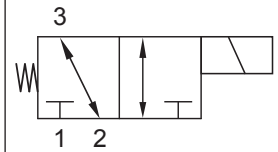


Up to 210 bar - 38 lpm


Operation

This is a solenoid operated 3 way 2 position directional spool valve which can be used in a variety of ways to suit the desired control circuit.

Manual override options available.

Symbol

Features

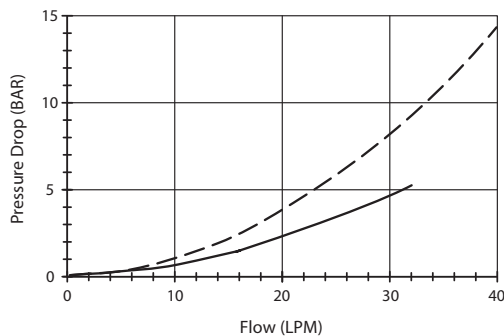
- Hardened parts for long life.
- Efficient wet-armature construction.
- Cartridges are voltage interchangeable.
- Manual override options.
- Industry common cavity.
- Unitised, molded coil design.
- Continuous duty rated solenoid.
- Optional coil voltages and terminations.
- Optional "I" Coil: Weatherproof, Thermal, Shock, Immersion Safe.



*Common lift/lower valve where load holding is not required.
For higher pressures see D-HFS3A.*

Performance

32 cSt / 38°C.

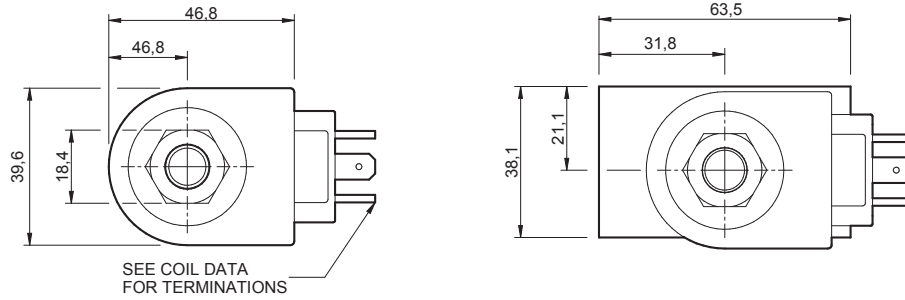


--- Port 1 to 3 (eng) — Port 3 to 2 (de-eng)

Specifications

Nom. Flow (lpm)	38
Max. pressure (bar)	210
Internal Leakage (32 cSt)	82 cc/min at 210 bar
Hydraulic oil	General purpose hydraulic fluid
Viscosity Range	3 to 640 cSt
Filtration	ISO 18/16/13
Operating temp.	-40 to 120°C
Voltage	DC / AC (see coil data page Coil-D)
Cartridge Torque	41 Nm
Coil Nut Torque	5 to 8 Nm
Cavity	DF10-3 (see cavity data page CAV-DF10-3)
Spare Seal Kit (Viton)	SK-DDFVDD
Weight - Cartridge only	0.12 kg
Weight - Cartridge + Coil	0.45 kg
Weight - Cartridge + Coil + Body	0.82 kg (alum) 1.51 kg (steel)

Dimensions
[mm]



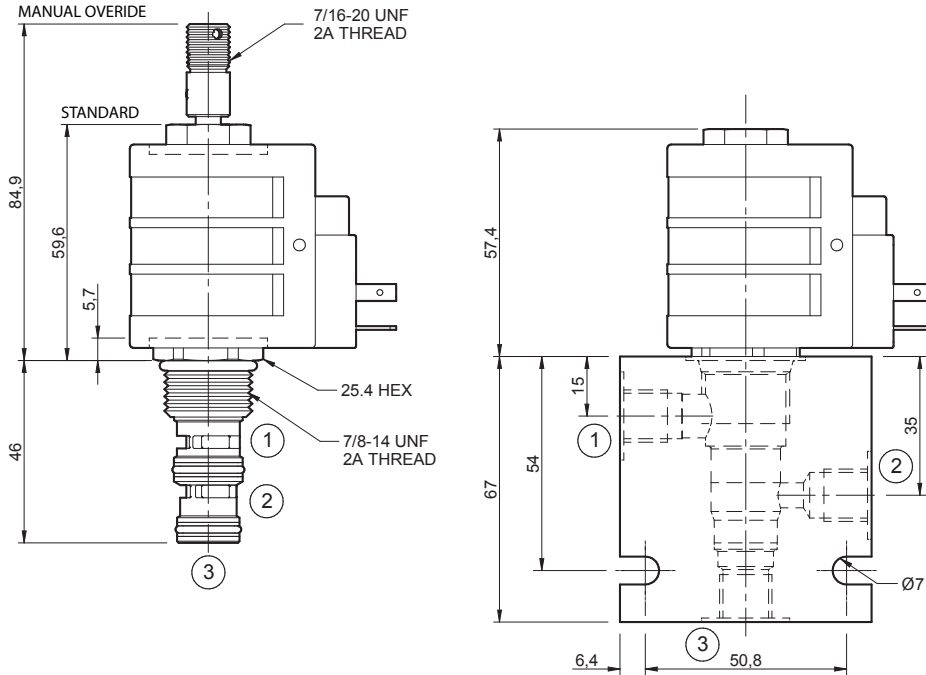
To Override

Detented Version
Pull & Twist

Non-Detented Version
Pull (spring return)

Coils can be fitted in any orientation.

Refer to data sheet Coil-D for coil options.



Ordering Code

D-DFS3A

Options	Coil termination	Voltage	Port size (BSP)	No. of ports	Body material
00 - Nitrile	DL - Double lead	12 - 12 Vdc	A - 1/4"	3 - 3 ports	A - Aluminium
V0 - Viton	DS - Double spade	24 - 24 Vdc	B - 3/8"	Options - See page B-DDF	S - Steel
0M - Nitrile, overr., detent	HC - EN 175301-803*	48 - 48 Vdc	Options - See page B-DDF		
VM - Viton, overr., detent	CL - Conduit lead	25 - 24 Vac			
B1 - Nitrile, overr., non-detent	'I' coils (12 & 24 volts only) weather/immersion proof (IP69)	11 - 110 Vac			
V1 - Viton, overr., non-detent	IA - AMP superseal	23 - 250 Vac			
	ID - Deutsch	Options - See page Coil-D			
	IJ - AMP Jr. Timer	Omit if coil is not required			
	IM - Metripak				

*Formerly DIN 43650 Hirschmann connector.