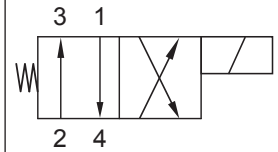


Up to 210 bar - 38 lpm

**Symbol**



**Operation**

This is a solenoid operated 4 way 2 position side flow spool valve. It is typically used for controlling a single acting cylinder or hydraulic motor.

**Manual override options available.**

**Features**

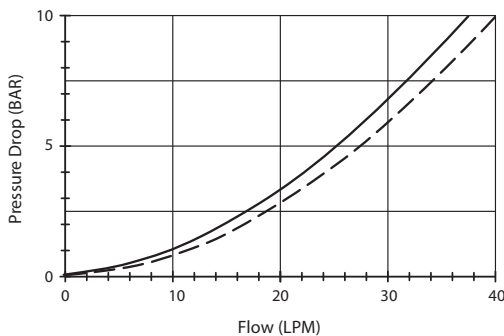
- Hardened parts for long life.
- Efficient wet-armature construction.
- Cartridges are voltage interchangeable.
- Industry common cavity.
- Unitised, molded coil design.
- Continuous duty rated solenoid.
- Optional coil voltages and terminations.
- Optional "I" Coil: Weatherproof, Thermal, Shock, Immersion Safe.



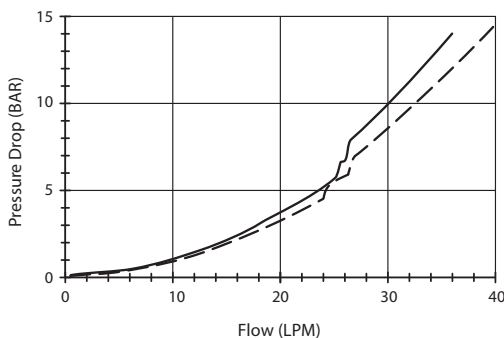
For higher pressures see D-HGS4A.

**Performance**

32 cSt / 38°C.



--- Port 1 to 4 (de-eng)    — Port 2 to 3 (de-eng)

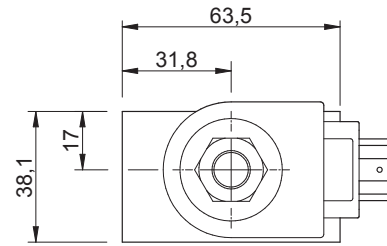
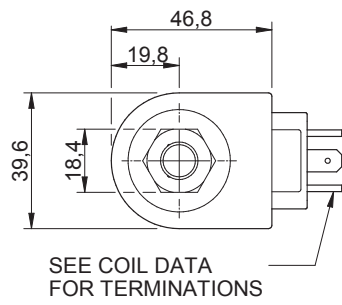


--- Port 2 to 1 (eng)    — Port 3 to 4 (eng)

**Specifications**

Nom. Flow (lpm)	38
Max. pressure (bar)	210
Internal Leakage (32 cSt)	82 cc/min per path
Hydraulic oil	General purpose hydraulic fluid
Viscosity Range	3 to 640 cSt
Filtration	ISO 18/16/13
Operating temp.	-40 to 120°C
Voltage	DC / AC (see coil data page <b>Coil-D</b> )
Cartridge Torque	41 Nm
Coil Nut Torque	5 to 8 Nm
Cavity	DG10-4 (see cavity data page <b>CAV-DG10-4</b> )
Seal Kit	SK-DDGVHDDD
Weight - Cartridge only	0.15 kg
Weight - Cartridge + Coil	0.48 kg
Weight - Cartridge + Coil + Body	0.94 kg (alum)    1.81 kg (steel)

**Dimensions**  
[mm]



SEE COIL DATA FOR TERMINATIONS

**To Override**

**Detented Version**

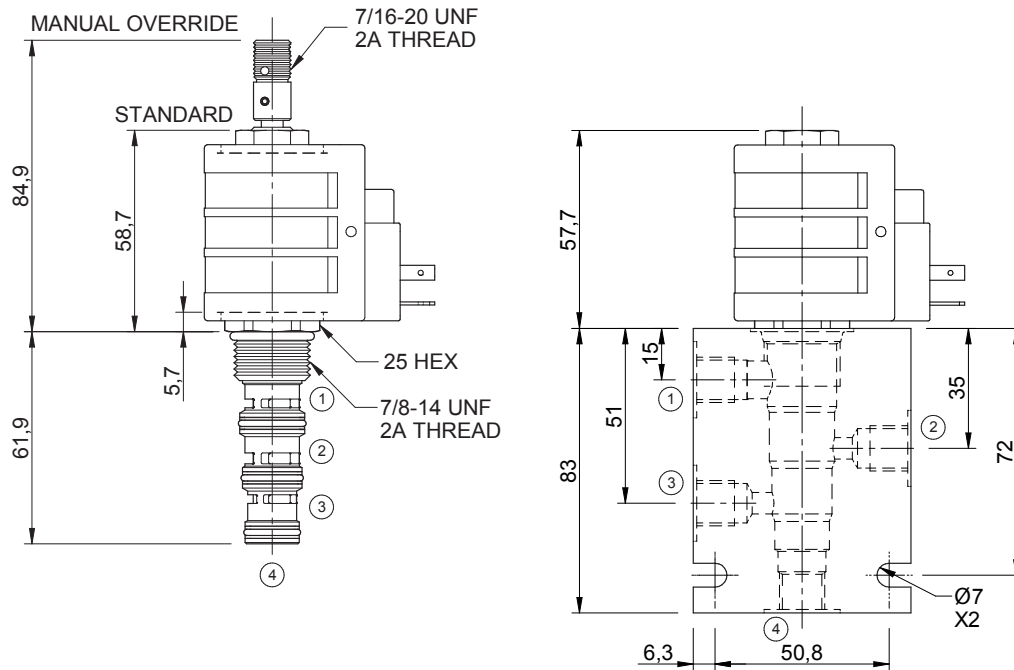
Pull & Twist

**Non-Detented Version**

Pull (spring return)

Coils can be fitted in any orientation.

Refer to data sheet **Coil-D** for coil options.



**Ordering Code**

**D-DGS4A** — **\*\*** — **\*\*** **\*\*** — **\*** **\*** **\***

Options	Coil termination	Voltage	Port size (BSP)	No. of ports	Body material
<b>00</b> - Nitrile	<b>DL</b> - Double lead	<b>12</b> - 12 Vdc	<b>A</b> - 1/4"	<b>4</b> - 4 ports	<b>A</b> - Aluminium
<b>V0</b> - Viton	<b>DS</b> - Double spade	<b>24</b> - 24 Vdc	<b>B</b> - 3/8"	<b>Options</b> - See page <b>B-DDG</b>	<b>S</b> - Steel
<b>0M</b> - Nitrile, overr., detent	<b>HC</b> - EN 175301-803*	<b>48</b> - 48 Vdc	<b>Options</b> - See page <b>B-DDG</b>		<b>For pressures over 210 bar use steel.</b>
<b>VM</b> - Viton, overr., detent	<b>CL</b> - Conduit lead	<b>25</b> - 24 Vac			
<b>B1</b> - Nitrile, overr., non-detent	<b>Options</b> - See page <b>Coil-D</b>	<b>11</b> - 110 Vac			
<b>V1</b> - Viton, overr., non-detent	Omit if coil is not required	<b>23</b> - 240 Vac			
		<b>Options</b> - See page <b>Coil-D</b>			

\*Formerly DIN 43650 Hirschmann connector.