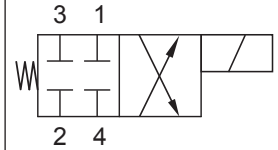


Up to 210 bar - 38 lpm

Symbol



Operation

This is a solenoid operated 4 way 2 position closed centre spool valve with all ports closed in the de-energised position.

Manual override options available.

Features

- Hardened parts for long life.
- Efficient wet-armature construction.
- Cartridges are voltage interchangeable.
- Industry common cavity.
- Unitised, molded coil design.
- Continuous duty rated solenoid.
- Optional coil voltages and terminations.
- Optional "I" Coil: Weatherproof, Thermal, Shock, Immersion Safe.

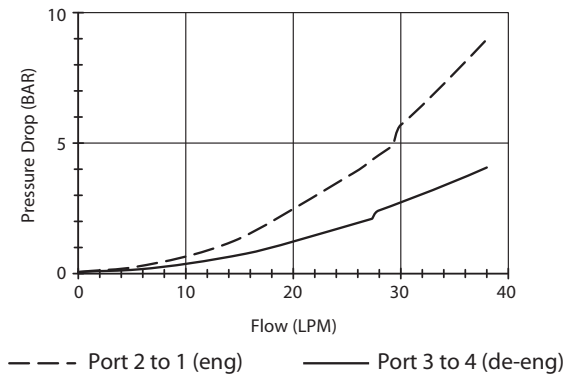


For higher pressures see D-HGS4B.

For higher flows consult factory.

Performance

32 cSt / 38°C.

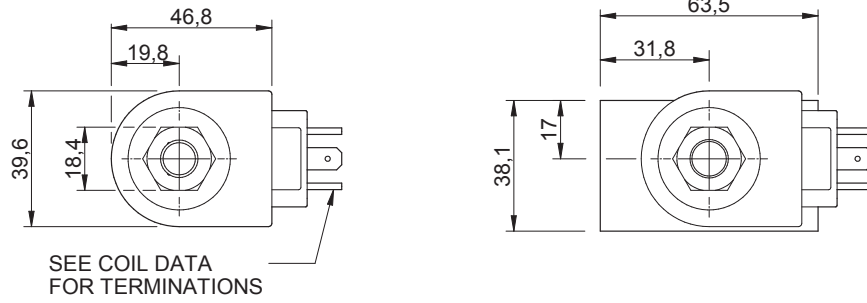


Specifications

Max. Flow (lpm)	38
Max. pressure (bar)	210
Internal Leakage (32 cSt)	82 cc/min per path
Hydraulic oil	General purpose hydraulic fluid
Viscosity Range	3 to 640 cSt
Filtration	ISO 18/16/13
Operating temp.	-40 to 120°C
Voltage	DC / AC (see coil data page Coil-D)
Cartridge Torque	41 Nm
Coil Nut Torque	5 to 8 Nm
Cavity	DG10-4 (see cavity data page CAV-DG10-4)
Seal Kit	SK-DDGVHDDD
Weight - Cartridge only	0.15 kg
Weight - Cartridge + Coil	0.48 kg
Weight - Cartridge + Coil + Body	0.94 kg (alum) 1.81 kg (steel)

Dimensions

[mm]



SEE COIL DATA FOR TERMINATIONS

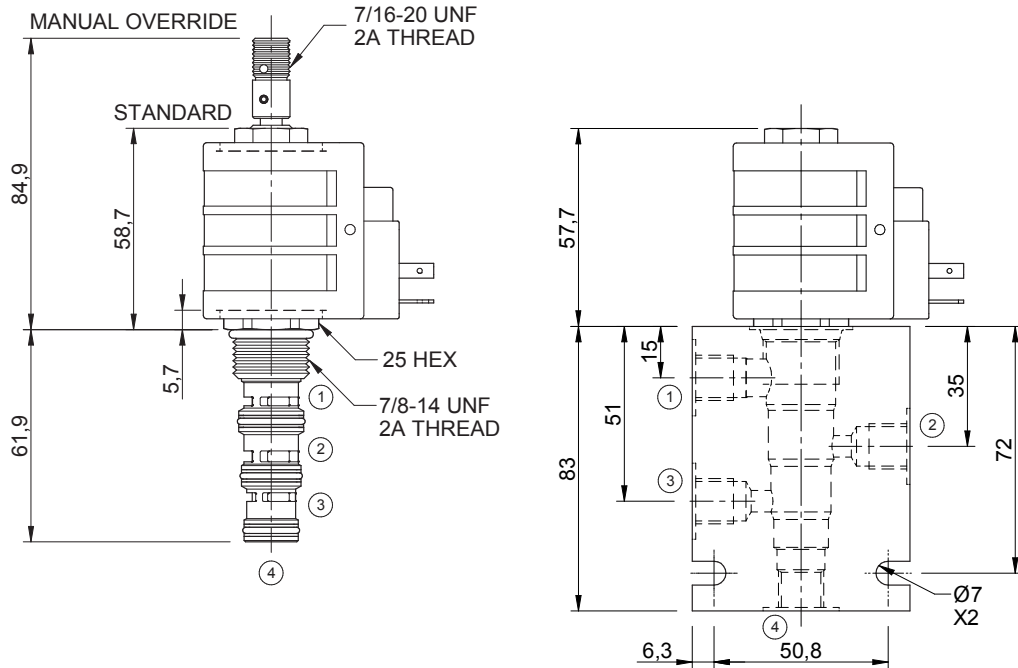
To Override

Detented Version
Pull & Twist

Non-Detented Version
Pull (spring return)

Coils can be fitted in any orientation.

Refer to data sheet Coil-D for coil options.



Ordering Code

D-DGS4B — ****** — ****** ****** — ***** ***** *****

Options	Coil termination	Voltage	Port size (BSP)	No. of ports	Body material
00 - Nitrile	DL - Double lead	12 - 12 Vdc	A - 1/4"	4 - 4 ports	A - Aluminium
V0 - Viton	DS - Double spade	24 - 24 Vdc	B - 3/8"	Options - See page B-DDG	S - Steel
0M - Nitrile, overr., detent	HC - EN 175301-803*	48 - 48 Vdc	Options - See page B-DDG		For pressures over 210 bar use steel.
VM - Viton, overr., detent	CL - Conduit lead	25 - 24 Vac			
B1 - Nitrile, overr., non-detent	Options - See page Coil-D	11 - 110 Vac			
V1 - Viton, overr., non-detent	Omit if coil is not required	23 - 240 Vac			
		Options - See page Coil-D			

*Formerly DIN 43650 Hirschmann connector.