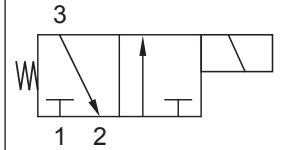




Up to 275 bar - 7.6 lpm

Symbol

Operation

This is a solenoid operated 3 way 2 position directional spool valve which can be used in a variety of ways to suit the desired control circuit.

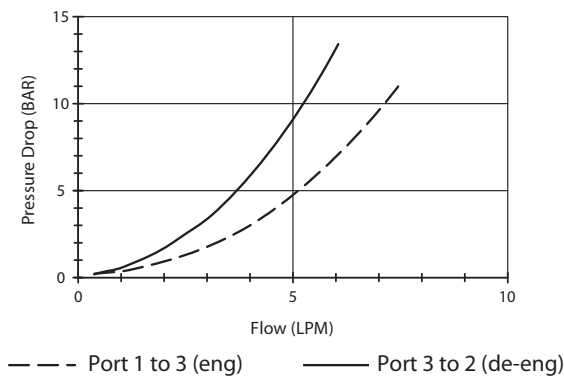
Its compact size makes it ideal as a valve to pilot larger valves.

Features

- Hardened parts for long life.
- Efficient wet-armature construction.
- Cartridges are voltage interchangeable.
- Industry common cavity.
- Unitised, molded coil design.
- Continuous duty rated solenoid.
- Optional coil voltages and terminations.

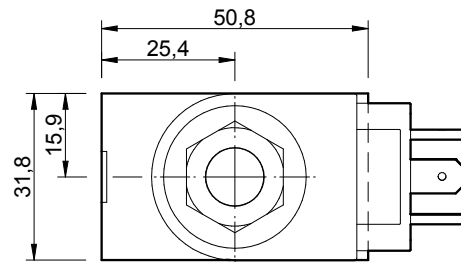
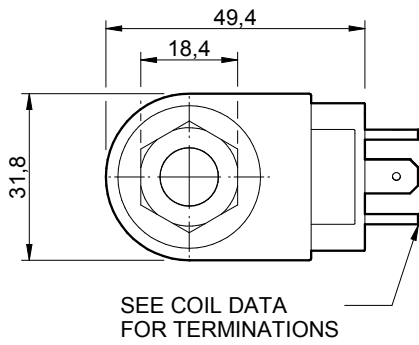
Performance

32 cSt / 38°C.

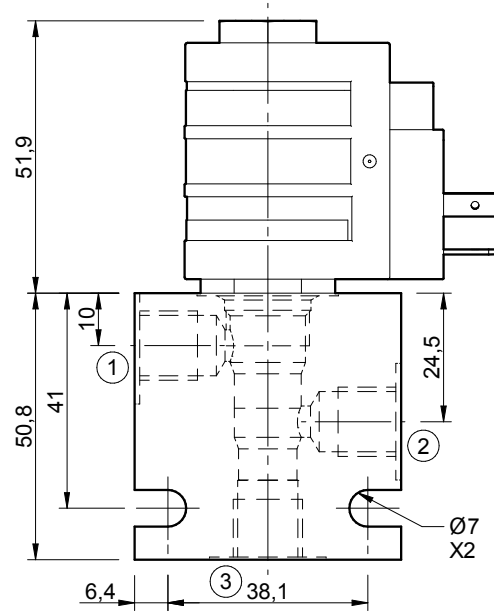
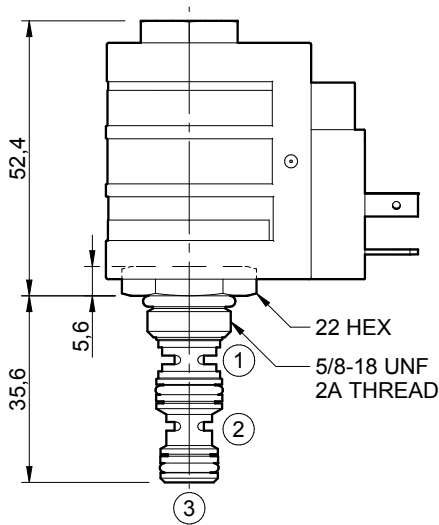

Specifications

Nom. Flow (lpm)	3.8 lpm from (1) to (3) 7.6 lpm from (3) to (2)
Max. pressure (bar)	275
Internal Leakage (32 cSt)	131 cc/min
Hydraulic oil	General purpose hydraulic fluid
Viscosity Range	3 to 640 cSt
Filtration	ISO 18/16/13
Operating temp.	-40 to 120°C
Voltage	DC / AC (see coil data page Coil-P)
Cartridge Torque	20 Nm
Coil Nut Torque	5 to 8 Nm
Cavity	MC07-3 (see cavity data page CAV-MC07-3)
Spare Seal Kit (Viton)	SK-DMCVHAA
Weight - Cartridge only	0.06 kg
Weight - Cartridge + Coil	0.25 kg
Weight - Cartridge + Coil + Body	0.43 kg (alum) 0.77 kg (steel)

Dimensions
[mm]



Coils can be fitted in any orientation.
Refer to data sheet Coil-P for coil options.



Ordering Code

D-UCS3A

	**	**	**	*	*	*
Options	Coil termination	Voltage	Port size (BSP)	No. of ports	Body material	
00 - Nitrile	DL - Double lead	12 - 12 Vdc	A - 1/4"	3 - 3 ports	A - Aluminium	
V0 - Viton	DS - Double spade	24 - 24 Vdc	Options - See page B-DMC	Options - See page B-DMC	S - Steel	
	HC - EN 175301-803*	48 - 48 Vdc				
	CL - Conduit lead	25 - 24 Vac				
	'I' coils (12 & 24 volts only) weather/immersion proof (IP69)	11 - 110 Vac				
	IA - AMP superseal	23 - 250 Vac				
	ID - Deutsch	Options - See page Coil-P				
	IJ - AMP Jr. Timer					
	IM - Metripak					
	Options - See page Coil-P					
	Omit if coil is not required					

*Formerly DIN 43650 Hirschmann connector.