



Up to 276 bar - 38 lpm

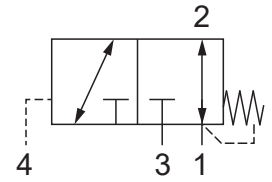
Operation

The D-HGPDA in neutral (un-piloted), allows flow between (2) and (1) bi-directionally, while blocking at (3).

The spring chamber is constantly vented at (1). On attainment of a predetermined pressure at (4), the cartridge redirects flow from (2) to (1), to (2) to (3).

Note: that the backpressure value at (1) must be added to the selected pressure setting to determine pilot pressure necessary to shift valve to second position.

Symbol

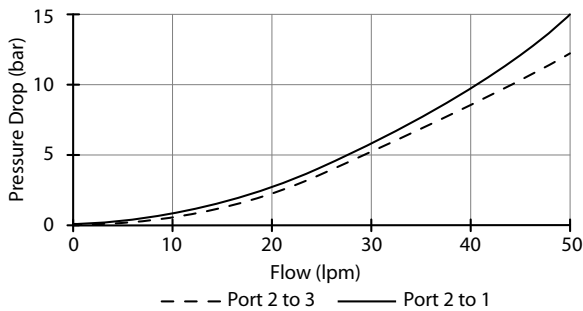


Features

- Hardened parts for long life and low leakage.
- Industry common cavity.

Performance

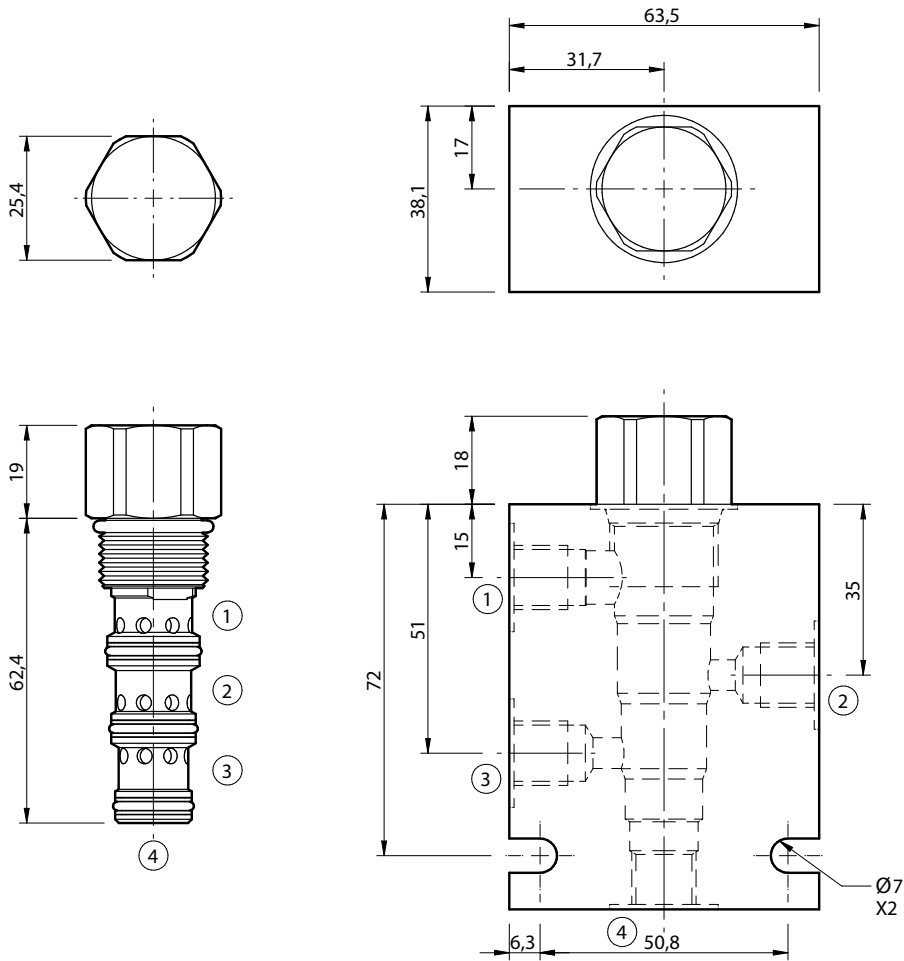
32 cSc / 38°C.



Specifications

Nom. Flow (lpm)	38
Max. Pressure (bar)	276
Internal Leakage (32 cSt)	131 cc/min
Hydraulic Oil	General purpose hydraulic fluid
Viscosity Range	3 to 640 cSt
Filtration	ISO 18/16/13
Operating Temp.	-40 to 120°C
Cartridge Torque	40.6 Nm
Cavity	DG10-4 (see cavity data page CAV-DE10-4)
Spare Seal Kit (Viton)	SK-DDGVHDDD
Weight - Valve only	0.28 kg
Weight - Valve + Body	0.55 kg (alum) 1.87 kg (steel)

Dimensions
[mm]



Ordering Code

