



Up to 276 bar - 38 lpm

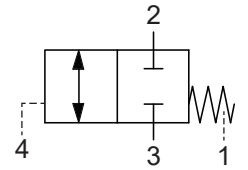
**Operation**

The D-HGPDC in neutral (un-piloted), blocks flow between (2) and (3).

The spring chamber is constantly vented at (1). On attainment of a predetermined pressure at (4), the cartridge allows flow from (2) to (3).

Note: that the backpressure value at (1) must be added to the selected pressure setting to determine pilot pressure necessary to shift valve to second position.

**Symbol**



**Features**

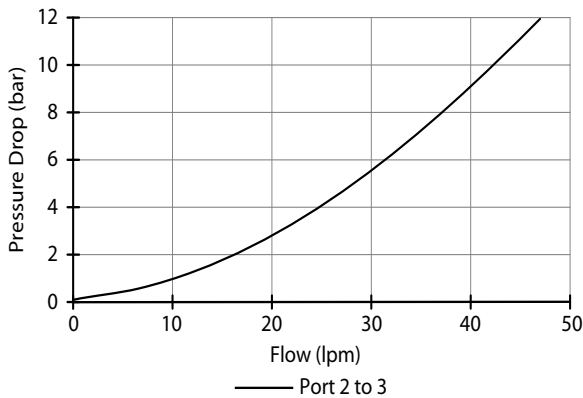
- Hardened parts for long life and low leakage.
- Industry common cavity.



*0.8 to 1.5 mm diameter orifice recommended beneath port 4*

**Performance**

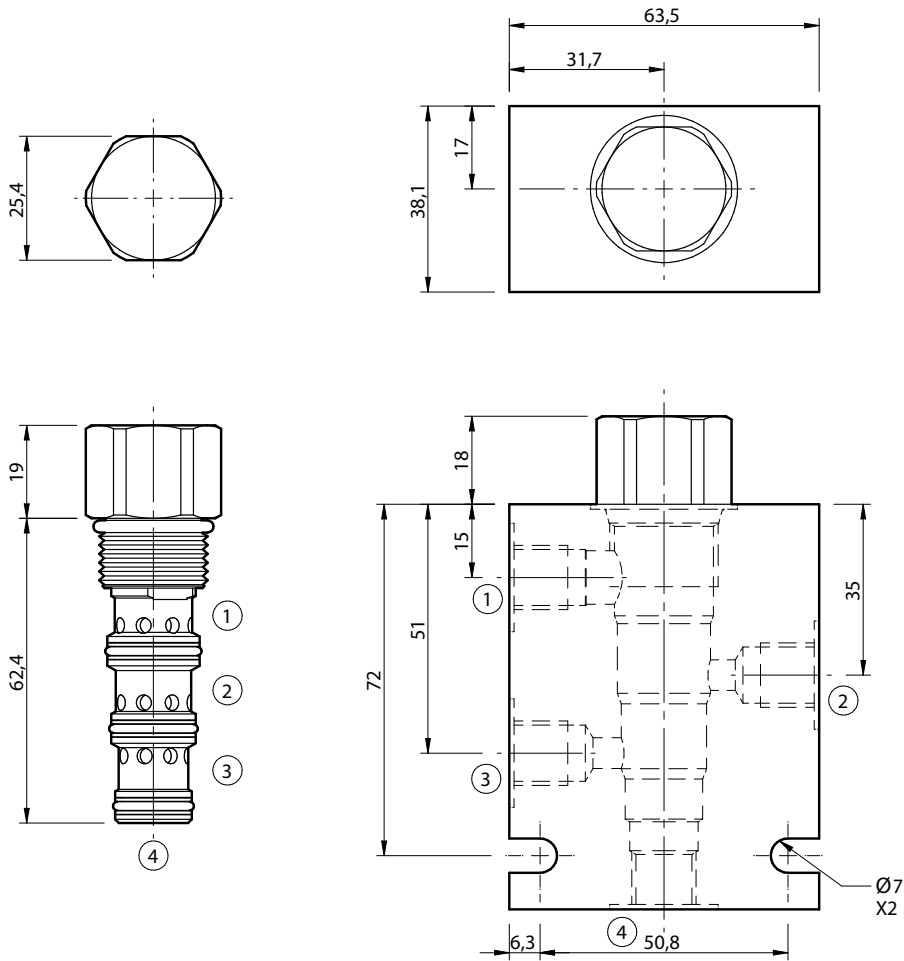
32 cSc / 38°C.



**Specifications**

Nom. Flow (lpm)	38
Max. Pressure (bar)	276
Internal Leakage (32 cSt)	82 cc/min
Hydraulic Oil	General purpose hydraulic fluid
Viscosity Range	3 to 640 cSt
Filtration	ISO 18/16/13
Operating Temp.	-40 to 120°C
Cartridge Torque	40.6 Nm
Cavity	DG10-4 (see cavity data page <b>CAV-DE10-4</b> )
Spare Seal Kit (Viton)	SK-DDGVHDDD
Weight - Valve only	0.28 kg
Weight - Valve + Body	0.55 kg (alum) 1.87 kg (steel)

**Dimensions**  
[mm]



**Ordering Code**

