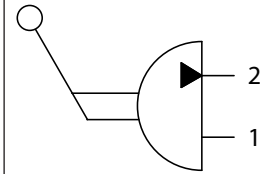


Up to 207 bar - 6.4 cm<sup>3</sup>/stroke

**Operation**

The D-DEHPF hand pump when pipe handle is pushed, primes thru port (2) and when lifted provides flow pressure to outlet port (1).

**Symbol**

**Features**

- Industry common cavity.
- Large displacement per stroke.

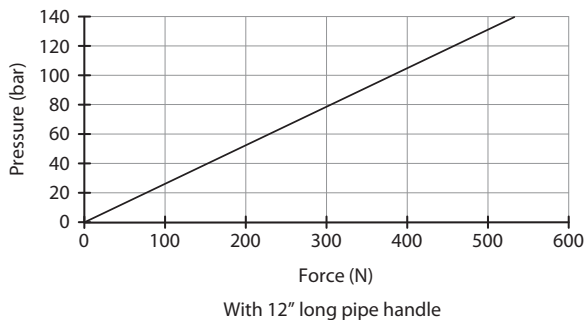


*This product is not intended as a load holding device.*

*Linkage is not to be removed. 36" (max. length) handle not supplied.*

**Performance**

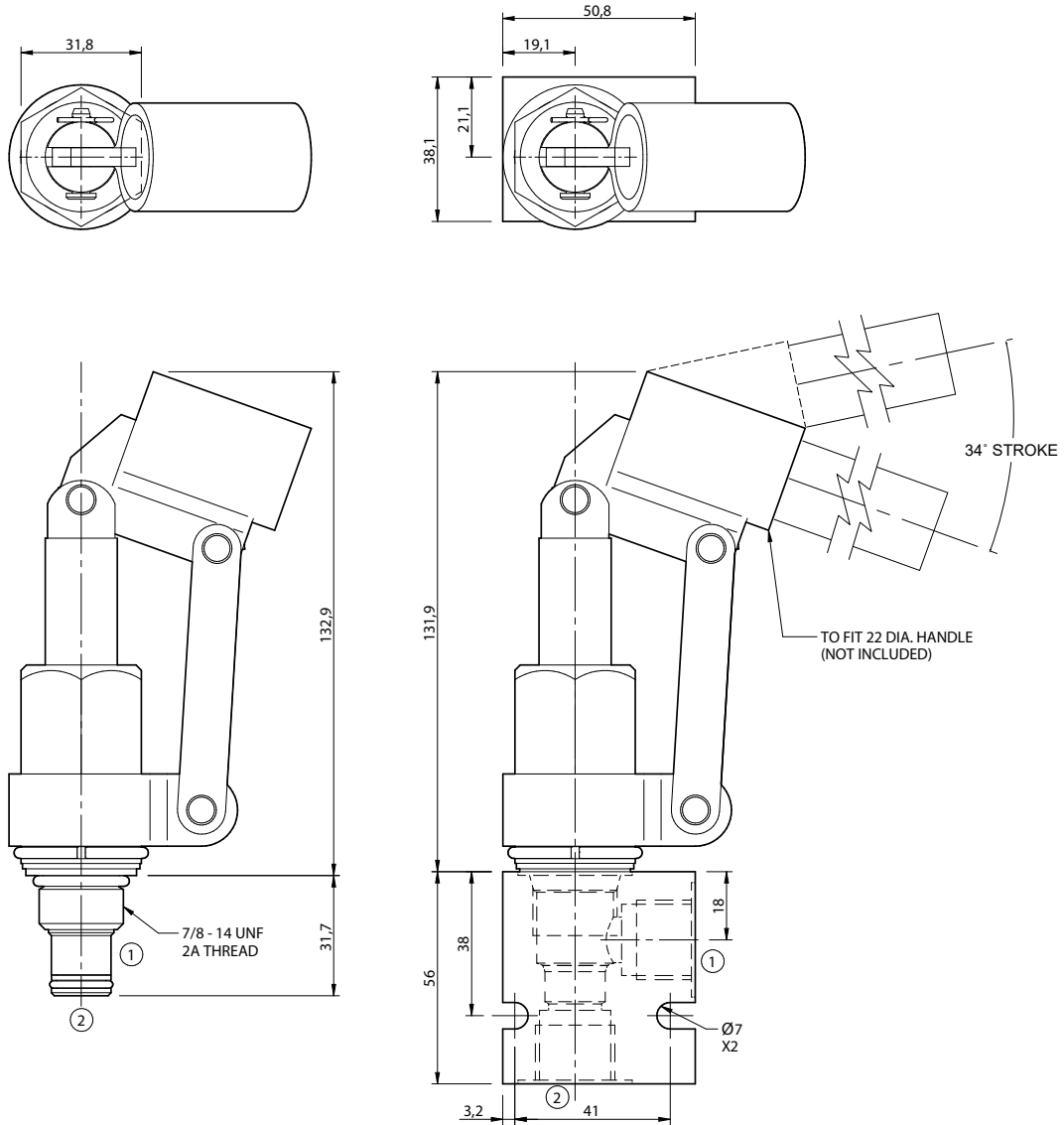
32 cSc / 38°C.

 Pump effective area: 284 mm<sup>2</sup>

**Specifications**

Nom. Flow	6.4 cm <sup>3</sup> /stroke
Max. Pressure (bar)	207
Internal Leakage (32 cSt)	0 to 0.5 cc/min
Hydraulic Oil	General purpose hydraulic fluid
Viscosity Range	3 to 640 cSt
Filtration	ISO 18/16/13
Operating Temp.	-40 to 120°C
Cartridge Torque	41 Nm
Cavity	DE10-2 (see cavity data page <b>CAV-DE10-2</b> )
Spare Seal Kit (Viton)	SK-DDEVHA
Weight - Valve only	0.69 kg
Weight - Valve + Body	0.92 kg (alum) 1.34 kg (steel)

**Dimensions**

[mm]



**Ordering Code**

**D-DEHPF**

