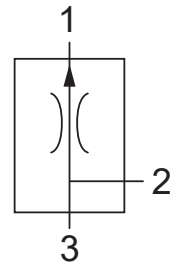


Up to 207 bar - 95 lpm

**Operation**

The D-SKFCP allows pressure compensated flow from (3) to (1) regulated by the pressure present at (3). Excess flow bypasses out (2). The spring chamber is constantly vented at (1).

**Symbol**

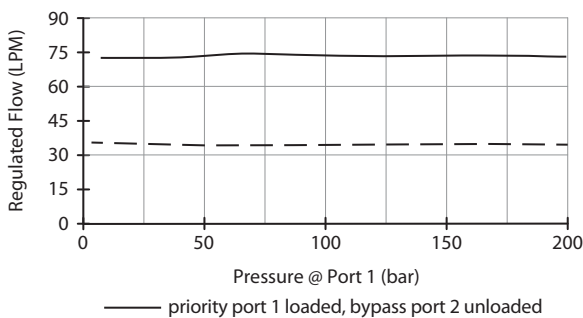
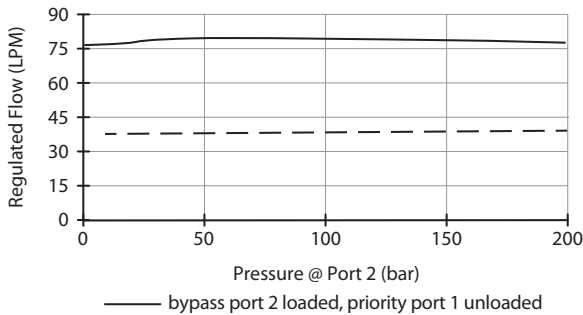


**Features**

- Hardened parts for long life.
- Industry common cavity.

**Performance**

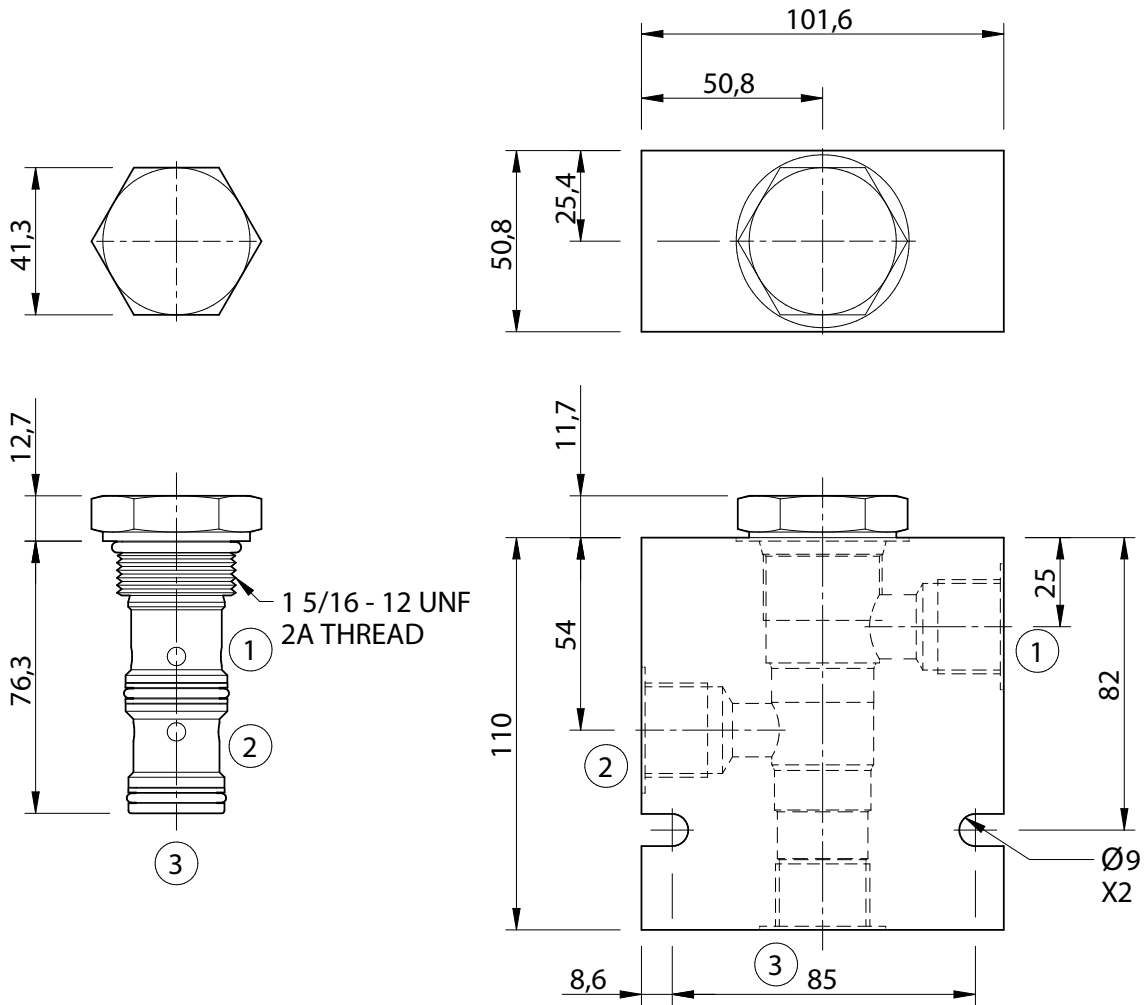
32 cSc / 38°C.



**Specifications**

Regulated Flow (lpm)	As specified from 19-95
Operating Pressure (bar)	34-207
Hydraulic Oil	General purpose hydraulic fluid
Viscosity Range	3 to 647 cSt
Filtration	ISO 18/16/13
Operating Temp.	-40 to 120°C
Cartridge Torque	122 Nm
Cavity	SK16-3 (see cavity data page <b>CAV-SK16-3</b> )
Spare Seal Kit (Viton)	SK-DSKVHBA
Weight - Valve only	0.39 kg
Weight - Valve + Body	1.59 kg (alum) 3.99 kg (steel)

**Dimensions**  
[mm]



**Ordering Code**

