



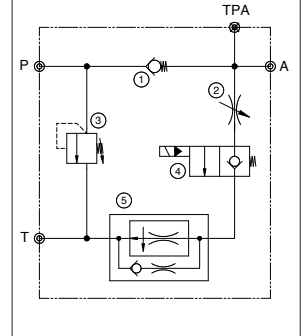
Up to 350 bar - Up to 55 lpm

Description

The RF LB5089 is a lift control valve for the operation of a single acting cylinder circuit. Speed control on raise is determined by flow delivered into the assembly. Speed control on lowering is determined by the setting of valves 2 or 5. The assembly comprises of the following valves and functions.

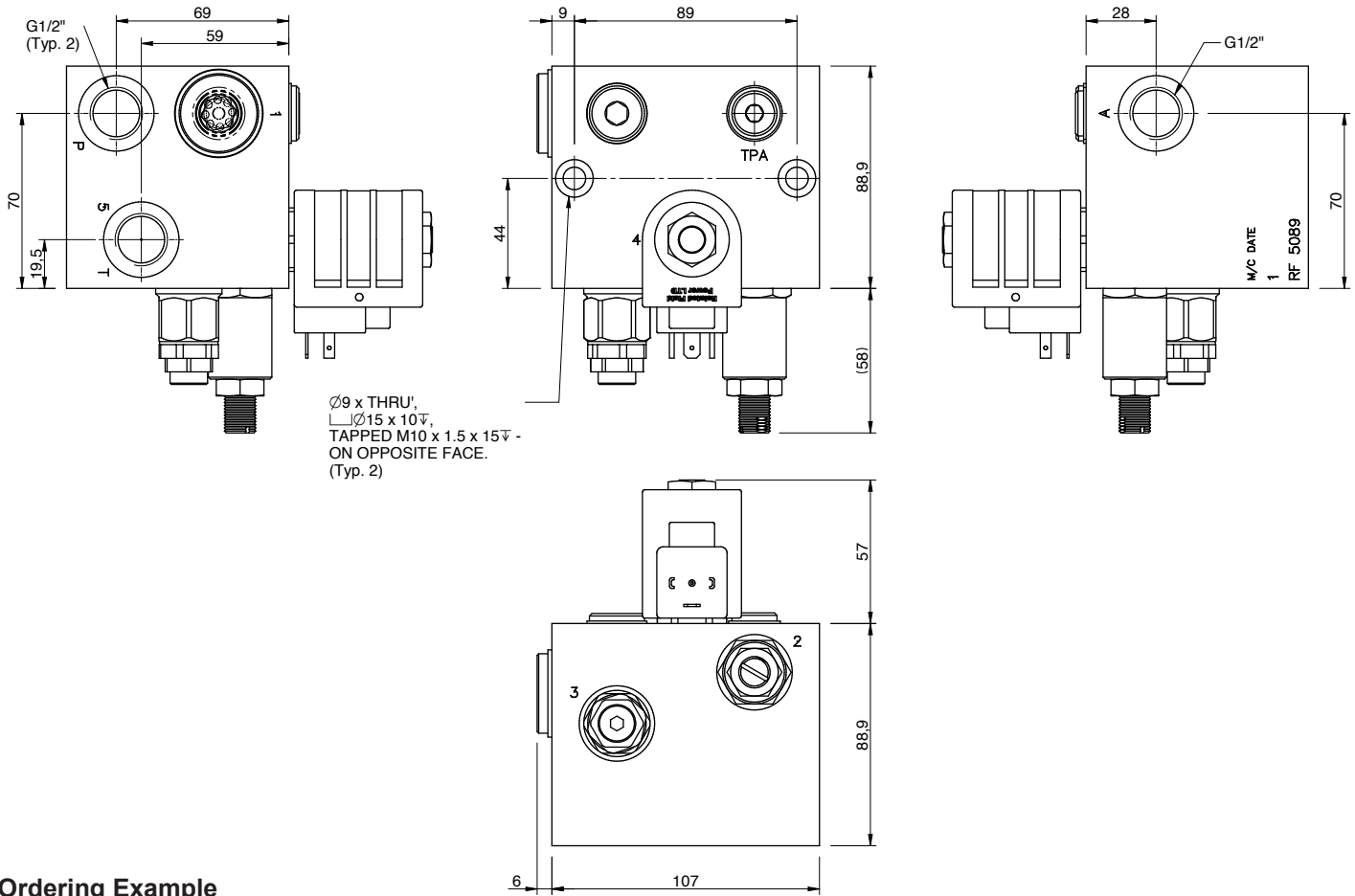
1. Check valve for load holding of the cylinder and prevention of reverse flow to the pump.
2. Flow control for speed control on lowering, if required this can be pressure compensated for more consistent speed if there are varying load conditions.
3. Relief valve to limit max. lift pressure (force).
4. Solenoid operated, normally closed poppet valve for load lowering.
5. Optional fixed pressure compensated flow control for control of a safe lowering speed regardless of load.

Please contact our sales office for more information on other circuit and mounting options.

Circuit

Features

- Fast acting relief with excellent crack to re-seat characteristic
- Multiple valve options available
- Excellent load holding characteristics
- Compact and efficient design,
- Available in lightweight aluminium, anodised (240bar) or high pressure (350bar) steel, zinc plated options

Flow Range (lpm)	55
Max. Pressure (bar)	350
Relief valve reseat pressure	Nominal 90% of cracking pressure
Hydraulic Oil	General purpose hydraulic fluid
Viscosity Range	7.4 to 420 cSt
Filtration	ISO 18/16/13
Operating Temp.	-40 to 110°C
Spare Seal Kit Weight	SK-RFLB5089N (Nitrile) SK-RFLB5089V (Viton)
Weight	2.9 kg (alum) 6.6 kg (steel)

Dimensions

Ordering Example

RF LB5089	**	**	**	**	*	**	*
Model Code	Pressure setting	Flow Control Options	Flow Setting (Lowering)	Valve options	Coil Termination	Voltage /	Material
	21 = 210 Bar** **10 Bar increments ** 21 = std. setting	A = Adjustable, compensated	00 = Non compensated	00 = Std	H = DIN, EN 175301-803	1 = 12 Vdc	A = Alum (anodised, clear)
		B = Adjustable, compensated with adjustment knob	05 = 5 lpm	V0 = Viton seals	D = Deutsch, DT04	2 = 24 Vdc	S = Steel (zinc, clear passivate)
		F = Fixed setting compensated	10 = 10 lpm etc.	0M = standard seals + override knob on solenoid valve	**Other coil terminations available on request.	**Other voltages available on request	
		N = Adjustable Non-compensated	20 lpm max. for fixed (Increments 1lpm) 38 lpm max. for adjustable	VM = Viton seals + override knob on solenoid valve			