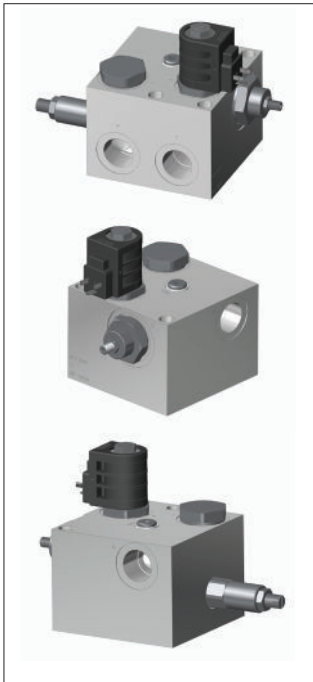
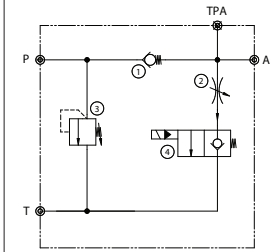


Up to 350 bar - Up to 150 lpm


Description

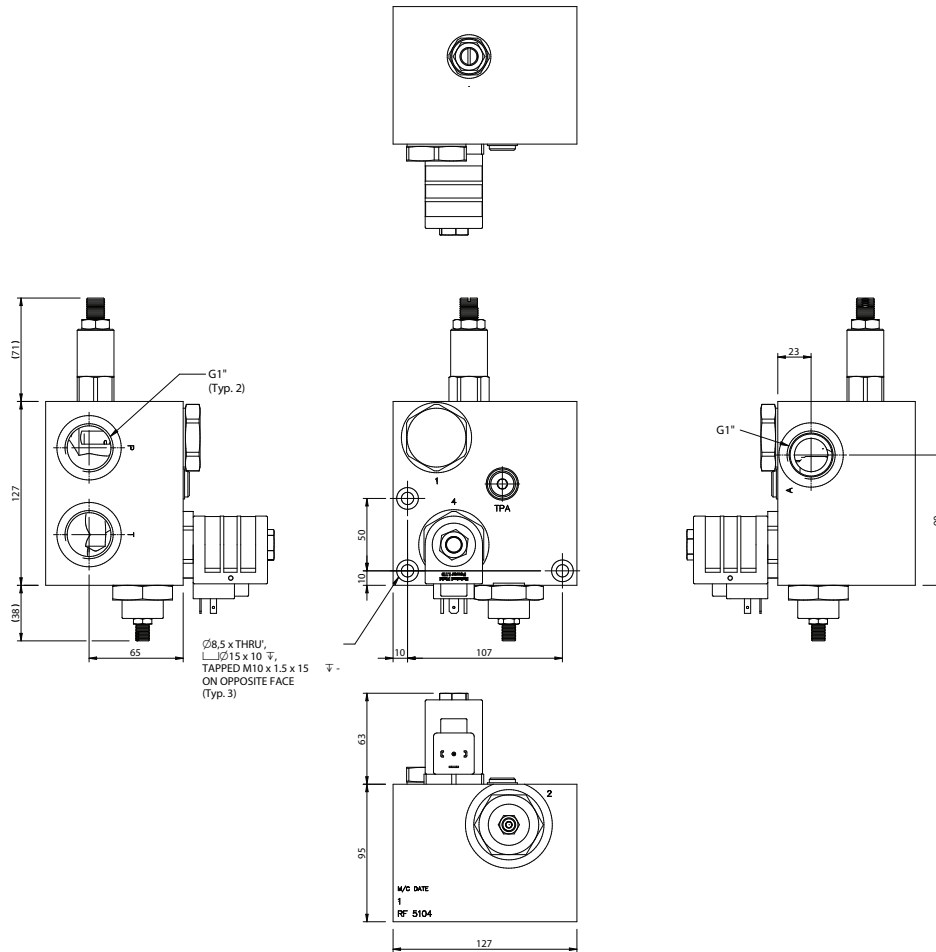
The RF LB5104 is a lift control valve for the operation of a single acting cylinder circuit. Speed control on raise is determined by flow delivered into the assembly. Speed control on lowering is determined by the setting of valve 2. The assembly comprises of the following valves and functions. 1. Check valve for load holding of the cylinder and prevention of reverse flow to the pump. 2. Flow control for speed control on lowering, if required this can be pressure compensated for more consistent speed if there are varying load conditions 3. Relief valve to limit max. lift pressure (force) 4. Solenoid operated, normally closed poppet valve for load lowering. Please contact our sales office for more information on other circuit and mounting options.

Circuit

Features

- Multiple valve options available
- Excellent load holding characteristics
- Compact and efficient design,
- Available in lightweight aluminium, anodised (240bar) or High pressure (350bar) steel, zinc plated options

Flow Range (lpm)	150
Max. Pressure (bar)	240
Relief valve reseal pressure	Nominal 90% of cracking pressure
Hydraulic Oil	General purpose hydraulic fluid
Viscosity Range	7.4 to 420 cSt
Filtration	ISO 18/16/13
Operating Temp.	-40 to 110°C
Spare Seal Kit	SK-RFLB5104
Weight	4.3 kg (alum) 10.5 kg (steel)

Dimensions



Ordering Example

RF LB5104	**	**	**	**	*	**	*
Model Code	Pressure setting	Flow Control Options	Flow Setting (Lowering)	Valve options	Coil Termination	Voltage /	Material
	21 = 210 Bar** **10 Bar increments ** 21 = std. setting	A = Adjustable, compensated	00 = Non compensated	00 = Std	H = DIN, EN 175301-803	1 = 12 Vdc	A = Alum (anodised, clear)
	Range = 40 – 350 bar	B = Adjustable, compensated with adjustment knob	05 = 5 lpm	V0 = Viton seals	D = Deutsch, DT04	2 = 24 Vdc	S = Steel (zinc, clear passivate)
		F = Fixed setting compensated	10 = 10 lpm etc.	0M = standard seals + override knob on solenoid valve	**Other coil terminations available on request.	**Other voltages available on request	
		N = Adjustable Non-compensated	Compensated flows: 95 lpm max. for adjustable	VM = Viton seals + override knob on solenoid valve			